

DIGI★STAR

TOPCON POSITIONING GROUP

**SCALE INDICATOR
POWER CORD
OPTIONS**

INDICATOR POWER CORD CONNECTORS.....3
BARE WIRE TRACTOR CONNECTION.....4
PINNED TRACTOR CONNECTION5
ACCESSORIES6
CONNECTOR REPAIR KITS FOR DIGI-STAR INDICATOR CABLES7

Digi-Star LLC
W5527 Hwy 106
Fort Atkinson, WI 53538
USA
Tel: 800-225-7695
E-mail: sales@digi-star.com

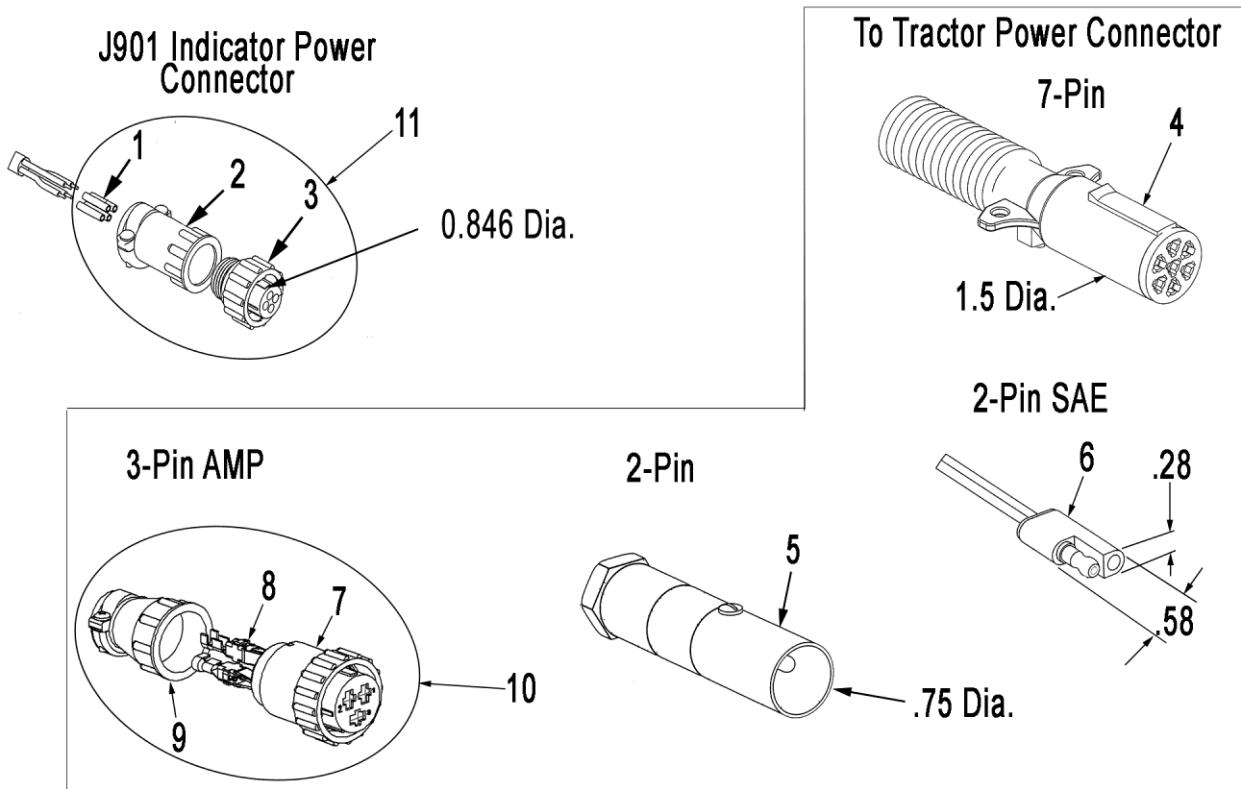
Digi-Star International
Digi-Star Europe B.V.
J.F. Kennedylaan 235
NL-5981 WZ Panningen
The Netherlands
Tel: +31 (0)77 462 92 64
E-Mail: dsinfo@digi-star.com

D3810-EN Indicator Power Cord Options Rev G

All rights reserved. Reproduction of any part of this manual in any form whatsoever without Digi-Star's express written permission is forbidden. The contents of this manual are subject to change without notice. All efforts have been made to assure the accuracy of the contents of this manual. However, should any errors be detected, Digi-Star would greatly appreciate being informed of them. The above notwithstanding, Digi-Star can assume no responsibility for errors in this manual or their consequence.

© Copyright 2016 Digi-Star Fort Atkinson (U.S.A.)

INDICATOR POWER CORD CONNECTORS

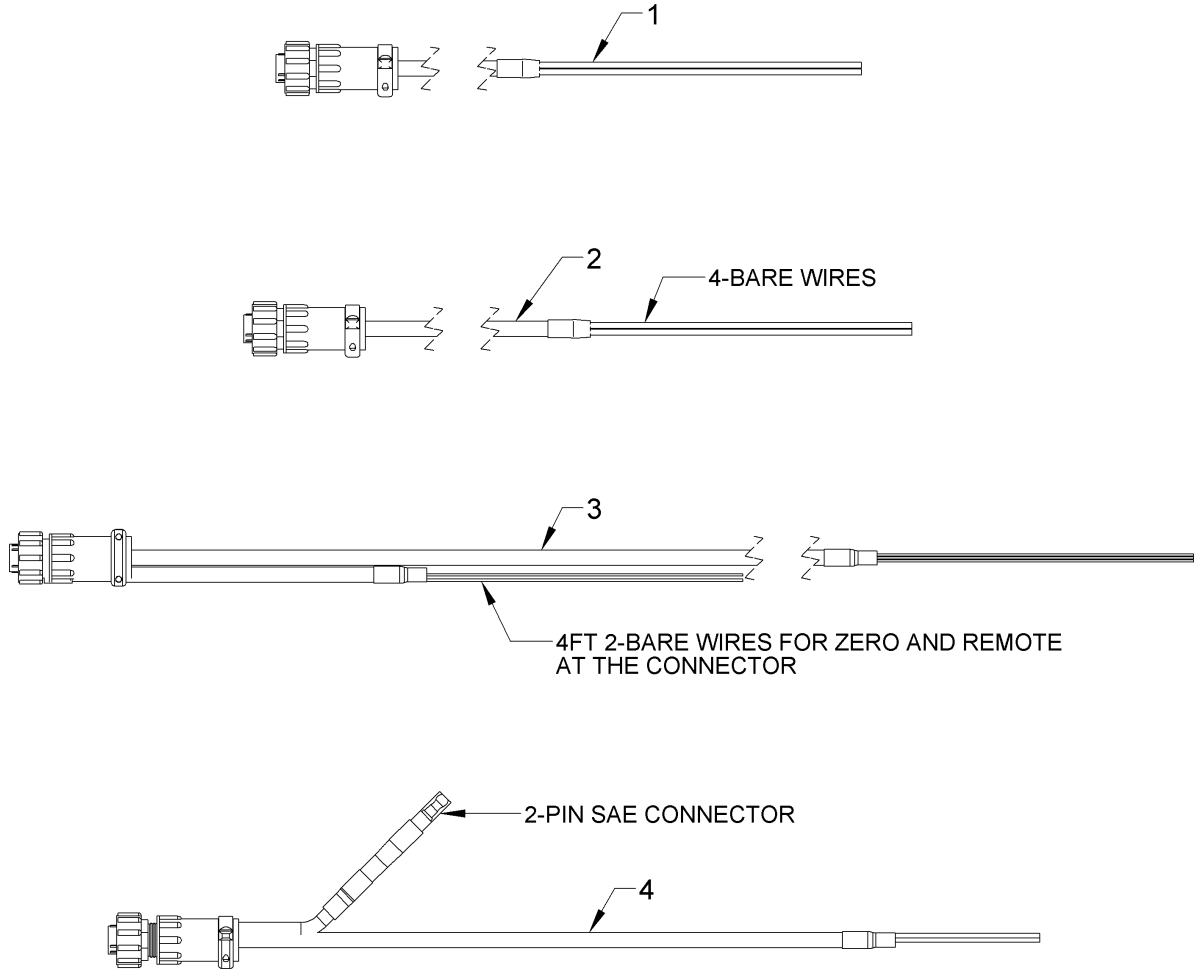


D3810 Indicator Power Cord Connectors

KEY 3 CONTACT	FUNCTION
1	+ 12 VDC
2	Ground
3	Remote Alarm, Relay/Alarm Output, + 12V (Scale Specific)
4	Remote Zero, Remote Input, Ground Signal

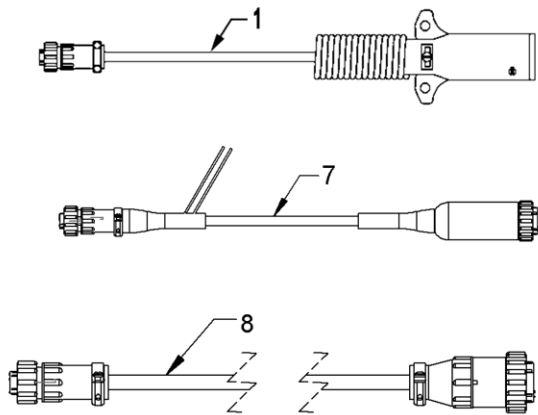
Item No.	Item Description	Qty	Order Part #
1	Conn-Pin/F Series (Reel) 24-20	4	840746
2	Conn-Body/F 4-Pin	1	841046
3	Conn-Hood Amp 206358-1	1	841047
4	Conn-Male 7-Pin Tractor	1	405421
5	Conn-Male 2-Pin (Cole Hersee)	1	404279
6	2-Pin SAE Connector		405107
7	Conn-Body Amp 26037-2	1	409256
8	Conn-Socket	2	409257
9	Conn-Hood Amp	1	408495
10	Pack-3-Pin Tractor		410041
11	Pack-Repair J901(Power)		403455

BARE WIRE TRACTOR CONNECTION

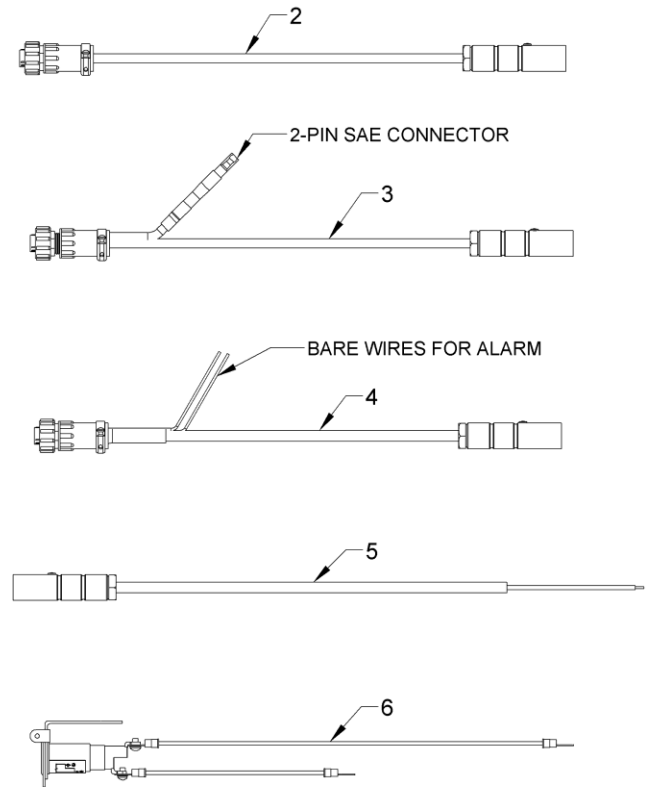


Item No.	Item Description	Cable Length	Order Part #
1	2-Bare Wire	6 Ft	406072
	2-Bare Wire	17 Ft	403335
	2-Bare Wire	36 Ft	406073
	2-Bare Wire	65 Ft	406276
2	4-Bare Wire (Remote Alarm & Remote Zero)	3 Ft	408005
		10 Ft	146698
		15 Ft	146684
		20 Ft	148119
		30 Ft	407565
3	4-Bare Wire (Remote Alarm at Connection)	17 FT	403626
4	2-Bare Wire with 2 Pin SAE Connector & Remote Zero (can be used with p/n 145401 Pack-Alarm Light with Bracket & 145398 Pack-Horn Assy with Cable)	12 FT	148210

PINNED TRACTOR CONNECTION

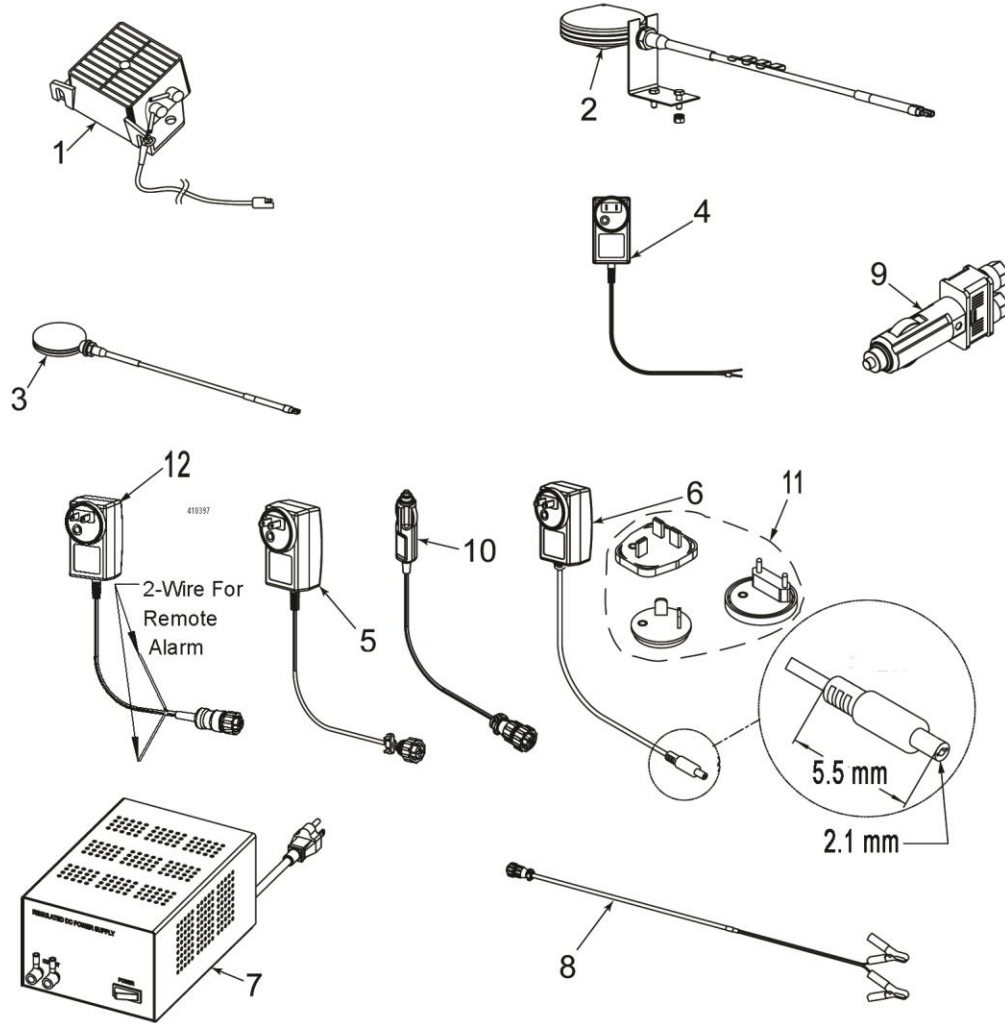


Pinned Tractor Conn.



Item No.	Item Description	Cable Length	Order Part #
1	7-Pin Tractor Connection (SAE J560)	10 FT	403238
2	2-Pin Tractor Connection (Cole Hersee Brand)	25 FT	409646
	2-Pin Tractor Connection (Cole Hersee Brand)	30 FT	405079
3	2-Pin Tractor Connection with 2-Pin SAE Remote Alarm	27 FT	145394
4	2-Pin Tractor Connection with Alarm Wires	15 FT	146150
	2-Pin Tractor Connection with Alarm Wires	16 FT	408501
5	2-Pin Tractor Male Extension	10 FT	824352
6	Socket Tractor Assemble (Used with Keys 2-5)	20 FT	141826
7	3-Pin Tractor Connection with Alarm Wires	17 FT	408493
8	3-Pin Tractor Connection	10 FT	409260

ACCESSORIES

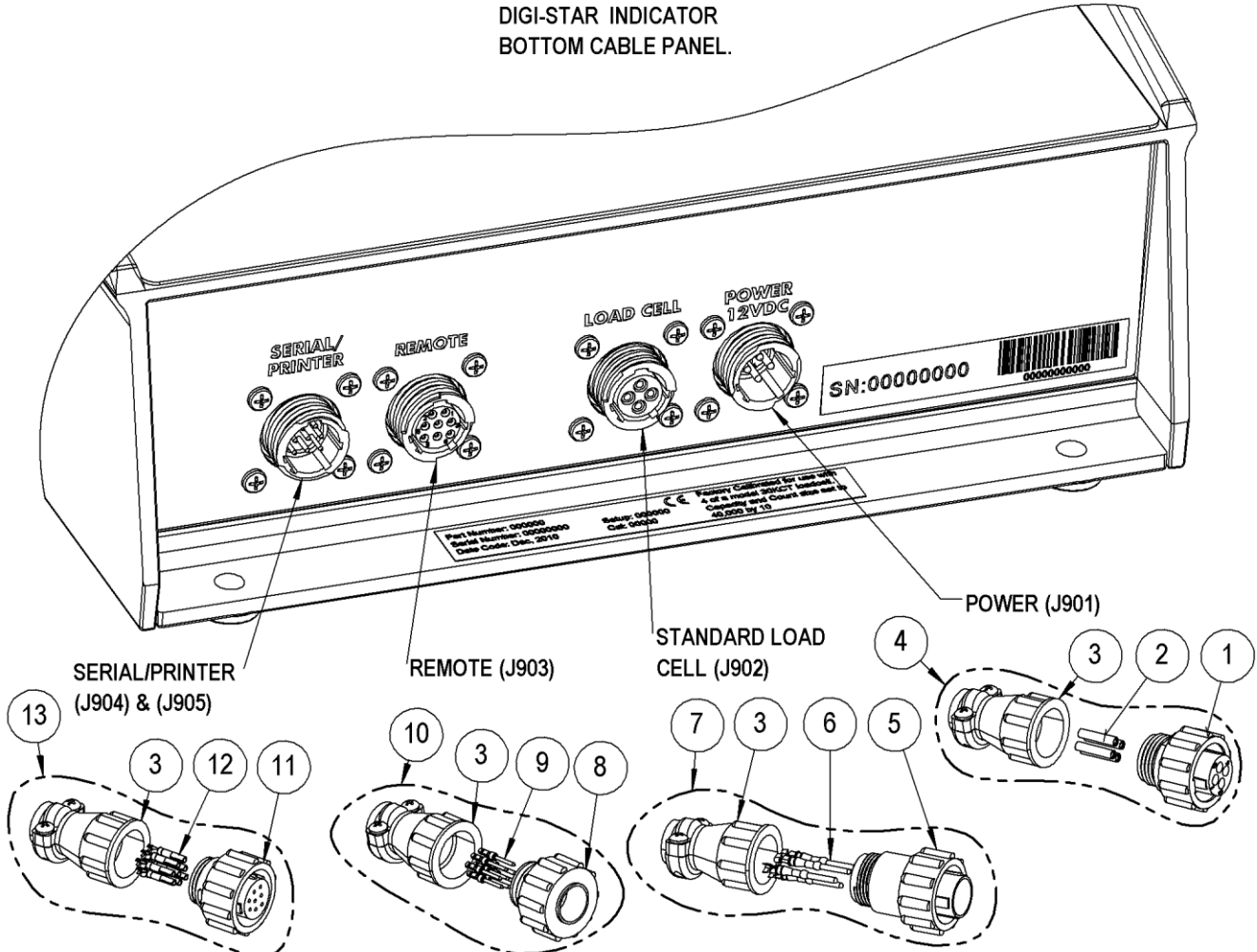


D3810 Accessories 1, 15, 16

Item No.	Item Description	Cable Length	Order Part #
1	Alarm with 2-Pin SAE Connector	10 FT	145398
2	Alarm Light with 2-Pin SAE Connector Includes Bracket & Cable Clips	10 FT	145401
3	Alarm Light with 2-Pin SAE Connector	10 FT	145402
4	120V AC to 12V DC Converter with Bare Wire	5 FT (Output: 12V DC, 1.5 Amp, Input: 100-240V AC, 47-63 HZ)	146030
5	120V AC to 12V DC Converter with Amp Indicator Connector	5 FT (Output: 12V DC, 1.5 Amp, Input: 100-240V AC, 47-63 HZ)	148156
6	120V AC to 12V DC Converter for SW300 Indicator	6 FT (Output: 12V DC, 1.5 Amp, Input: 100-240V AC, 47-63 HZ)	406507
7	Regulated Power Supply 120V AC to 13.8V DC	5 FT	823872
8	12V DC with Battery Clips	9 FT	404777
	12V DC with Battery Clips	17 FT	408669
9	Lighter Power Connector		406693
10	12V DC Plug to Amp Indicator Connector	4 FT	409833
11	Universal Plug Adaptors (works with power cubes 4,5,6)		406508
12	120VAC to 12VDC Converter with AMP Connector and 2-Wire for Remote Alarm	5 FT (Output: 12V DC, 1.5 Amp, Input: 100-240V AC, 47-63 HZ)	410397

CONNECTOR REPAIR KITS FOR DIGI-STAR INDICATOR CABLES

DIGI-STAR INDICATOR
BOTTOM CABLE PANEL.



SERIAL/PRINTER (J904)

PIN	FUNCTION
1	20ma Current Loop (+)
2	Printer Data out (Tx)
3	Computer Data in (Rx)
4	Scoreboard Data in (Rx)
5	Computer GND
6	Printer GND
7	Scoreboard GND
8	20ma Current Loop (-) A4

SERIAL COM 1-2 (J905)

PIN	FUNCTION
1	20ma Current Loop (+)
2	Com #1 Out (Tx)
3	Com #1 In (Rx)
4	Com #2 Out (Tx)
5	+12 VDC (500mA)
6	GND
7	Com #2 In (Rx)
8	20ma Current Loop (-)

PIN	FUNCTION
1	+12v Unregulated
2	+12v Unregulated
3	Remote Zero Input
4	Remote Data Out
5	Remote Clock Out
6	GND
7	Pulsed Output
8	GND

PIN	FUNCTION
1	+ Excitation
2	-Signal
3	+Signal
4	-Excitation & Shield

PIN	FUNCTION
1	+12V DC
2	Ground
3	Relay/Alarm Output: +12V DC (Scale Specific)
4	Remote Input: Ground Signal (Scale Specific)

KEY	QTY.	P/N	DESCRIPTION
1	1	841046	Conn-Body/F4 Pin
2	4	840746	Conn-Pin/F-Series 1
3	1	141607	Conn-Hood AMP
4	1	403455	Pack-Repair J901-Power
5	1	840469	Conn-Body/M4 Pin
6	4	840468	Conn-Pin/M Series 1 Loose
7	1	403456	Pack-Repair J902-Load Cell
8	1	840486	Conn-Body/F8 Pin Series 2
9	8	403809	Conn-Pin/M Series 2 Loose
10	1	403457	Pack-Repair (J903)
11	1	840553	Conn-Body/M8 Pin Series 2
12	8	840552	Conn-Pin/F Series 2 Loose
13	1	403458	Pack-Repair (J904)Series/Printer

Bottom Cable Panel